

STR-DA333ES/DA555ES


SERVICE MANUAL

US Model
Canadian Model



Photo: STR-DA555ES

This receiver incorporates Dolby* Digital and Dolby Pro Logic Surround and the DTS** Digital Surround System.

* Manufactured under license from Dolby Laboratories. "Dolby", "AC-3", "Pro Logic," and the double-D symbol  are trademarks of Dolby Laboratories Licensing Corporation.

**Manufactured under license from Digital Theater Systems, Inc. US Pat. No. 5,451,942 and other worldwide patents issued and pending. "DTS", and "DTS Digital Surround", are trademarks of Digital Theater Systems, Inc. © 1996 Digital Theater Systems, Inc. All rights reserved.

SPECIFICATIONS

AUDIO POWER SPECIFICATIONS

POWER OUTPUT AND TOTAL HARMONIC DISTORTION:
With 8 ohm loads, both channels driven, from 20 - 20,000 Hz; rated 120 watts (STR-DA555ES) and 80 watts (STR-DA333ES) per channel minimum RMS power, with no more than 0.05% total harmonic distortion from 250 milliwatts to rated output (USA model only).

Amplifier section

POWER OUTPUT

Stereo mode

(8 ohms, 20 Hz - 20 kHz,
THD 0.05%)

STR-DA555ES:
120 W + 120 W
STR-DA333ES:
80 W + 80 W

Surround mode

(8 ohms, 20 Hz - 20 kHz,
THD 0.05%)
STR-DA555ES:
Front: 120 W/ch
Center^{a)}: 120 W
Rear^{a)}: 120 W/ch
STR-DA333ES:
Front: 80 W/ch
Center^{a)}: 80 W
Rear^{a)}: 80 W/ch
(4 ohms, 20 Hz - 20 kHz,
THD 0.05%)
STR-DA555ES:
Front: 100 W/ch
Center^{a)}: 100 W
Rear^{a)}: 100 W/ch
STR-DA333ES:
Front: 70 W/ch
Center^{a)}: 70 W

Rear^{a)}: 70 W/ch

a) Depending on the sound field settings and the source, there may be no sound output.

Dynamic power output

165 W + 165 W, 8 ohms
230 W + 230 W, 4 ohms

Harmonic distortion at rated output
Less than 0.05% (with sound field, tone, and bass booster bypassed)

Frequency response

PHONO: RIAA
equalization curve
±0.5 dB

— Continued on next page —

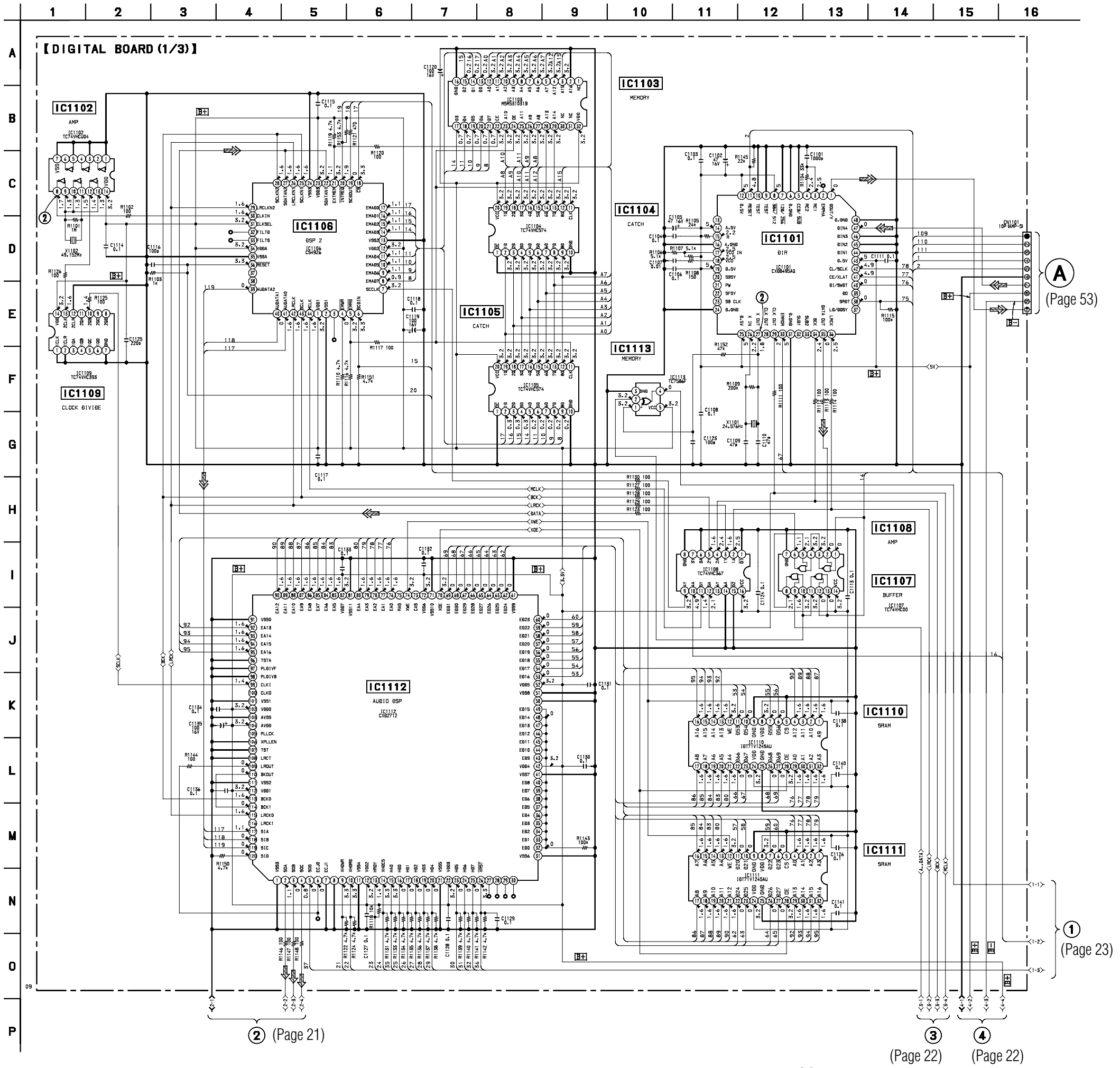
FM STEREO FM-AM RECEIVER



SONY®

5-3. SCHEMATIC DIAGRAM – DIGITAL (1/3) SECTION –

- See page 18 for Waveforms.
- See page 25 for Printed Wiring Board.
- See page 59 for IC Block Diagrams.
- See page 68 for IC Pin Functions.



Ⓐ (Page 53)

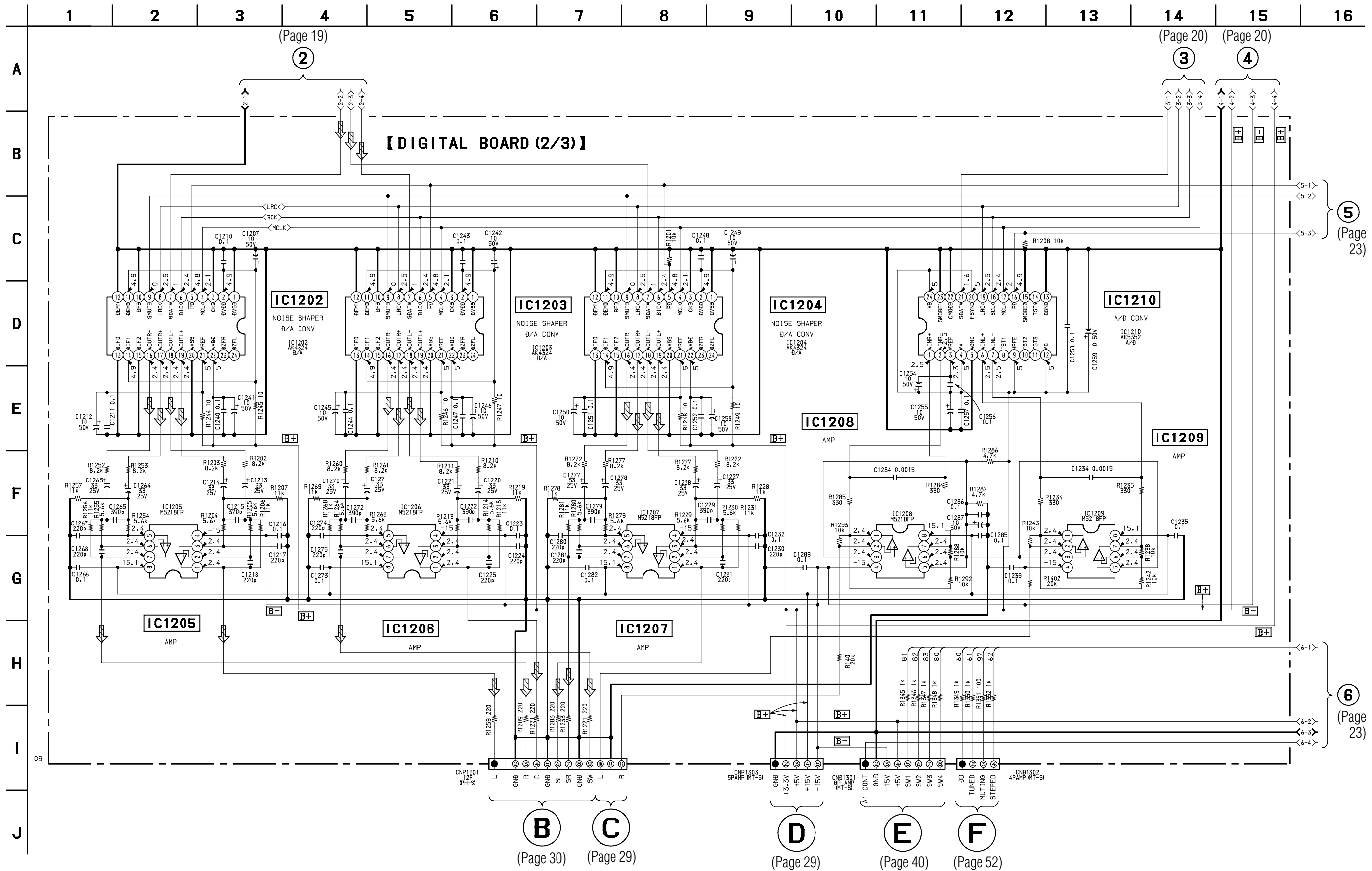
① (Page 23)

③ (Page 22)

④ (Page 22)

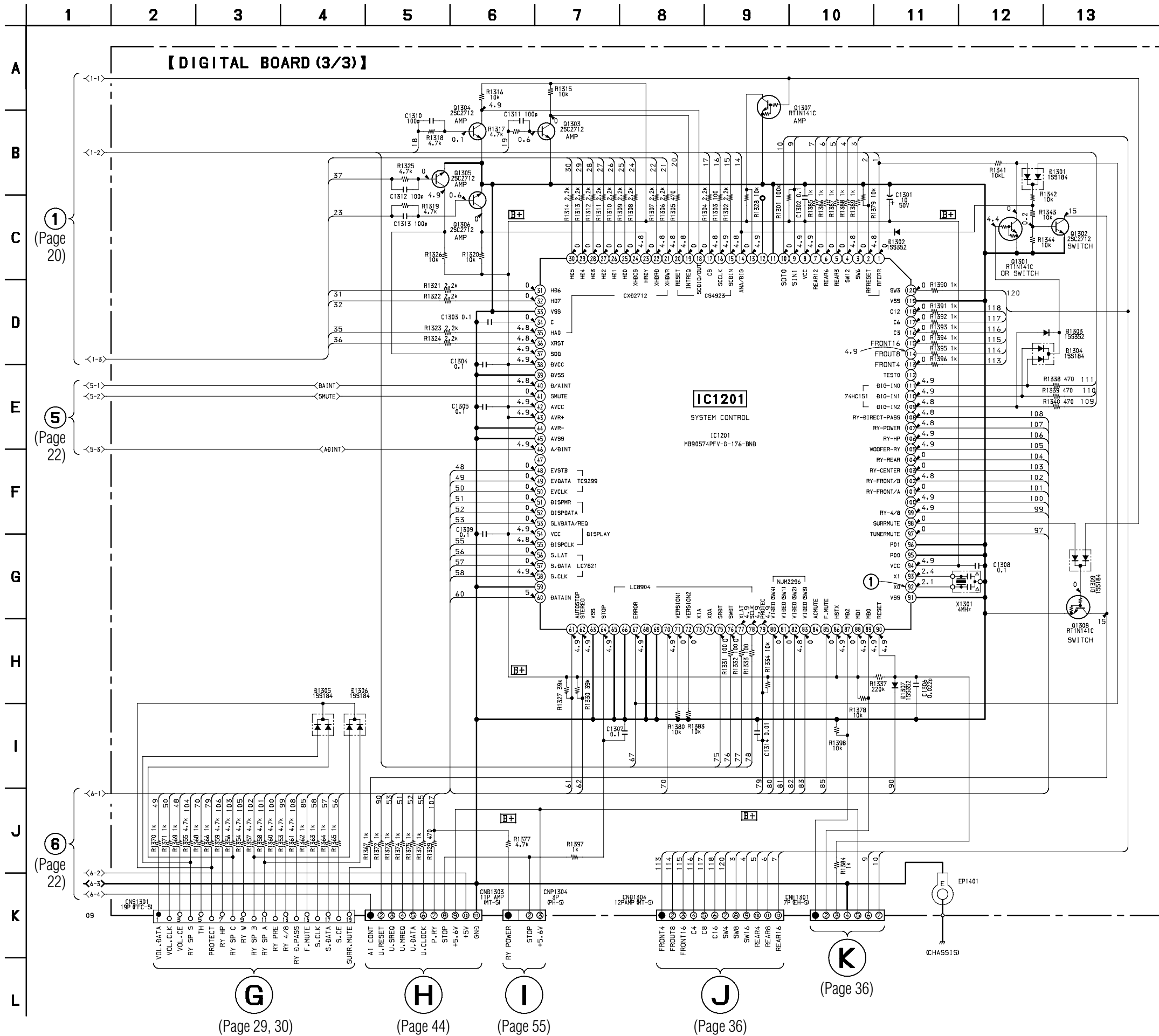
5-4. SCHEMATIC DIAGRAM – DIGITAL (2/3) SECTION –

- See page 25 for Printed Wiring Board.
- See page 60 for IC Block Diagrams.

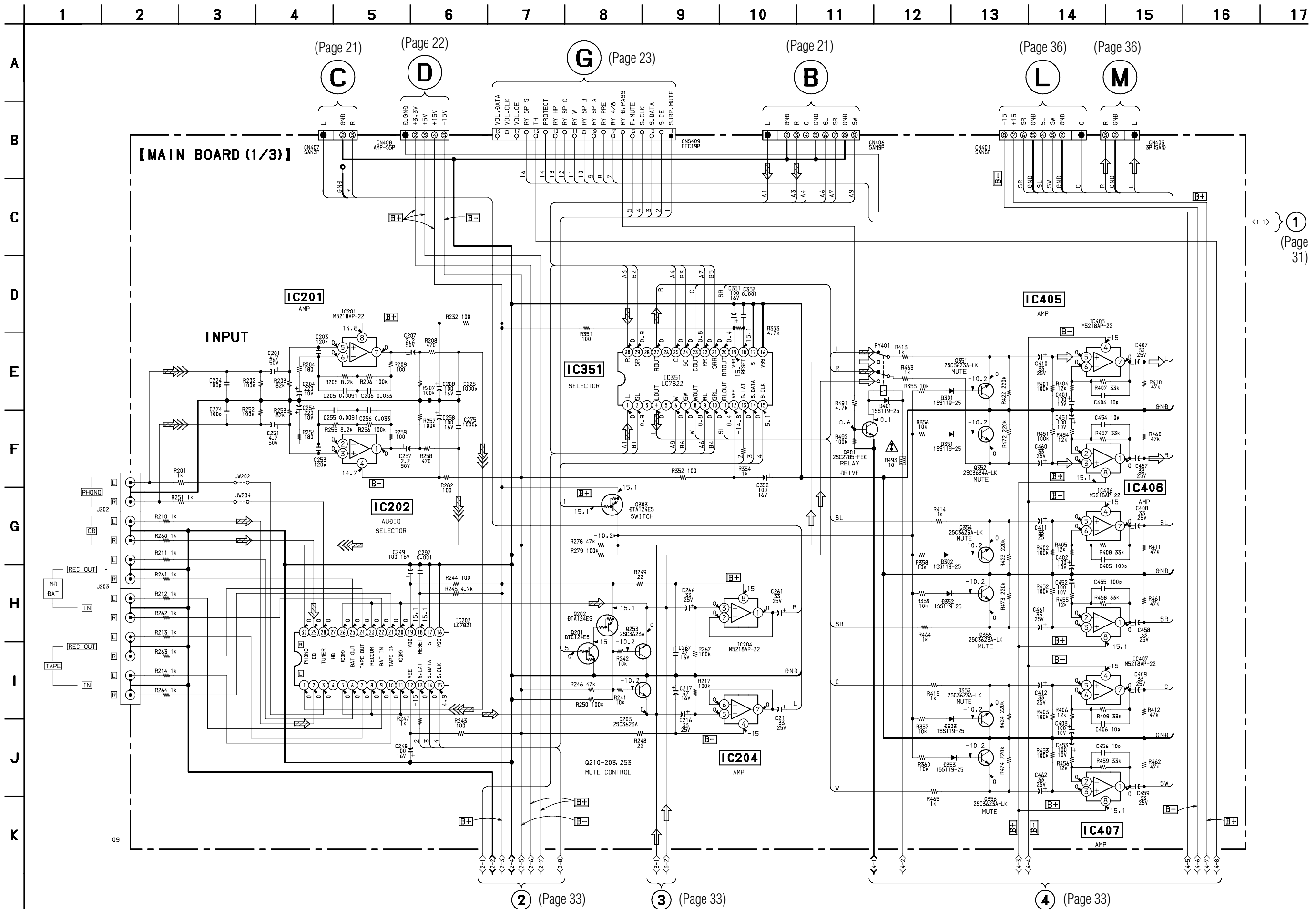


5-5. SCHEMATIC DIAGRAM – DIGITAL (3/3) SECTION –

- See page 18 for Waveforms.
- See page 65 for IC Pin Functions.



5-8. SCHEMATIC DIAGRAM – MAIN (1/3) SECTION –
• See page 61 for IC Block Diagrams.



1 (Page 31)

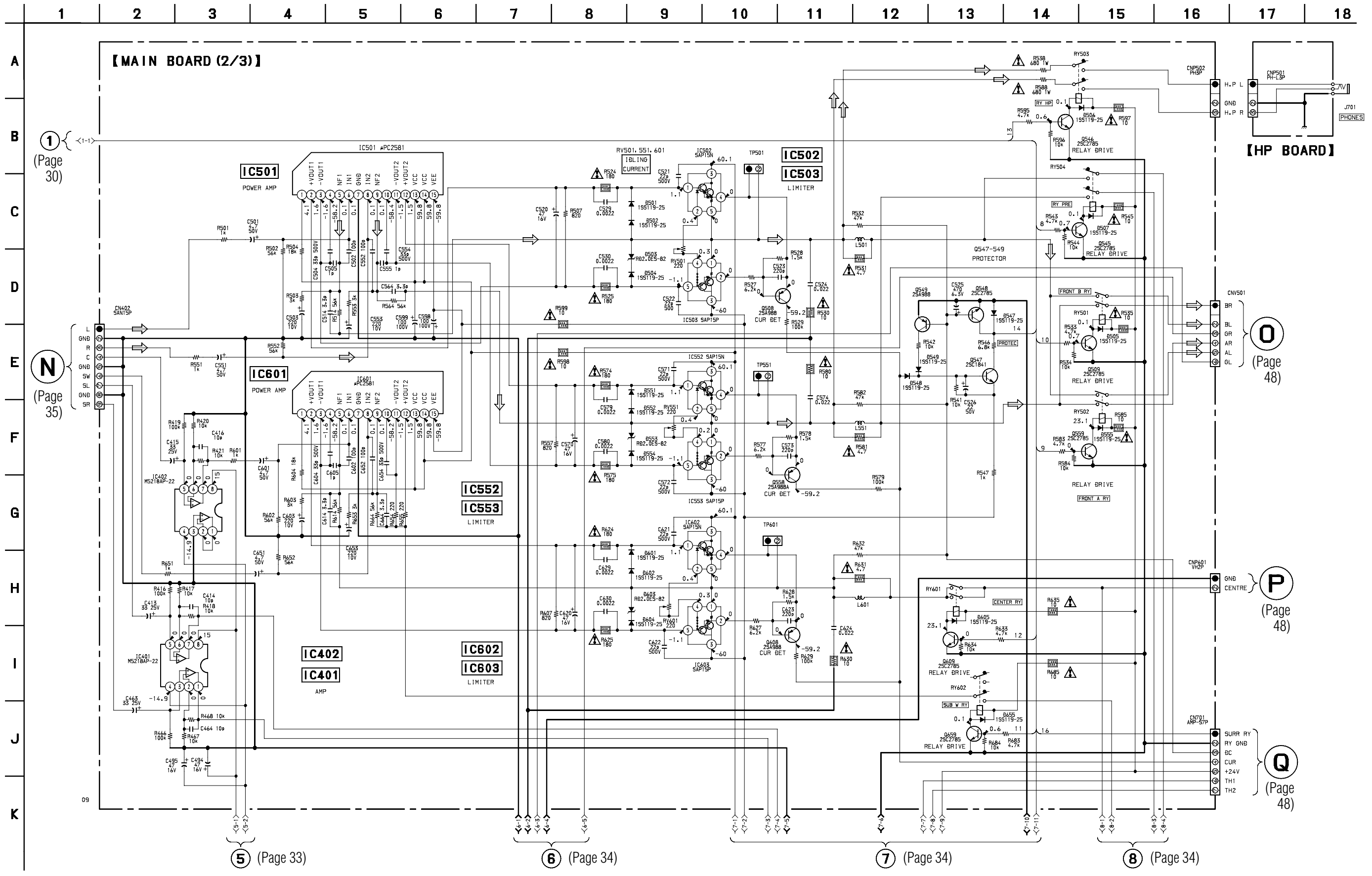
2 (Page 33)

3 (Page 33)

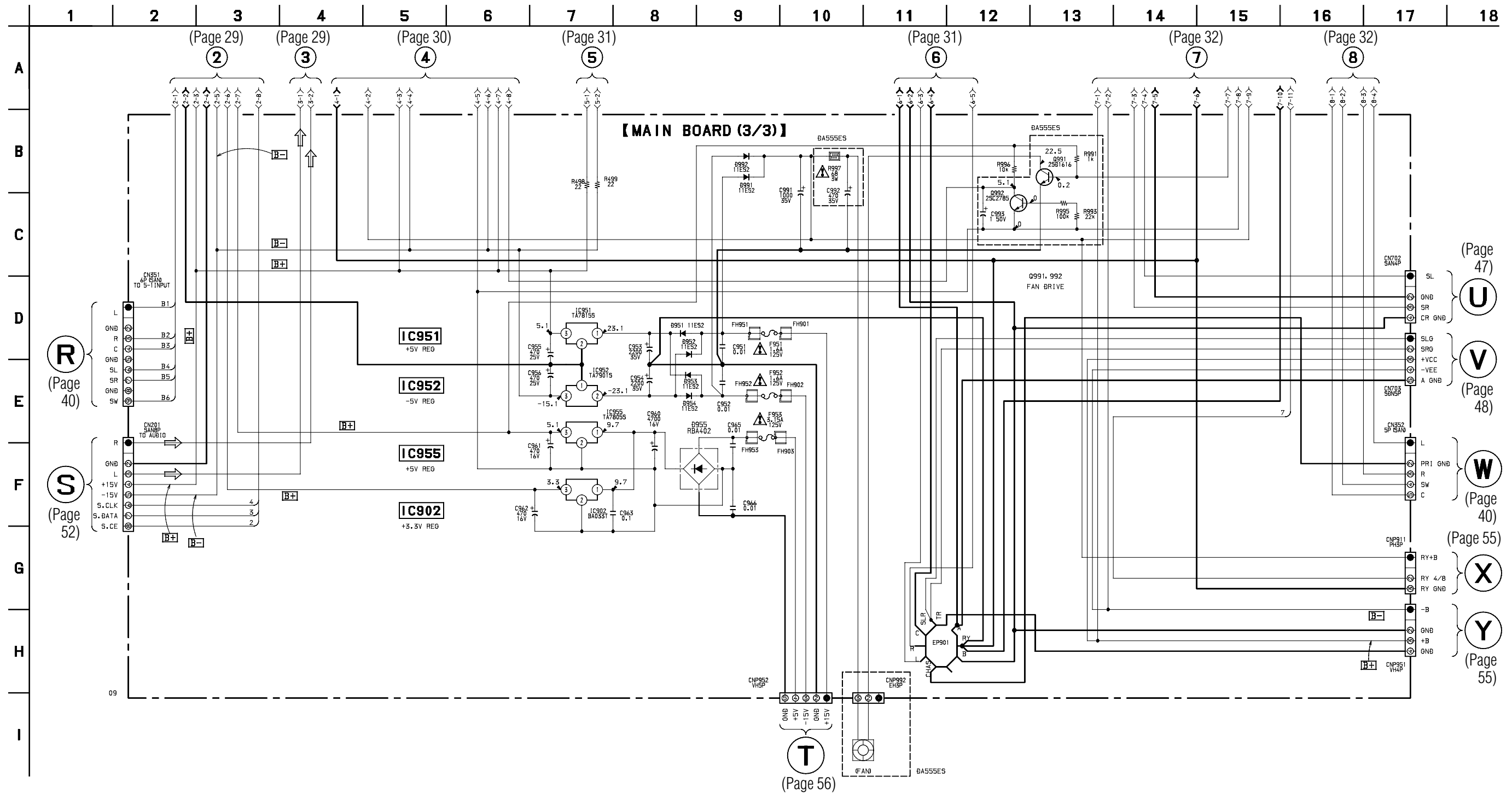
4 (Page 33)

5-9. SCHEMATIC DIAGRAM – MAIN (2/3) SECTION –

- See page 27 for Printed Wiring Board.
- See page 61 for IC Block Diagrams.



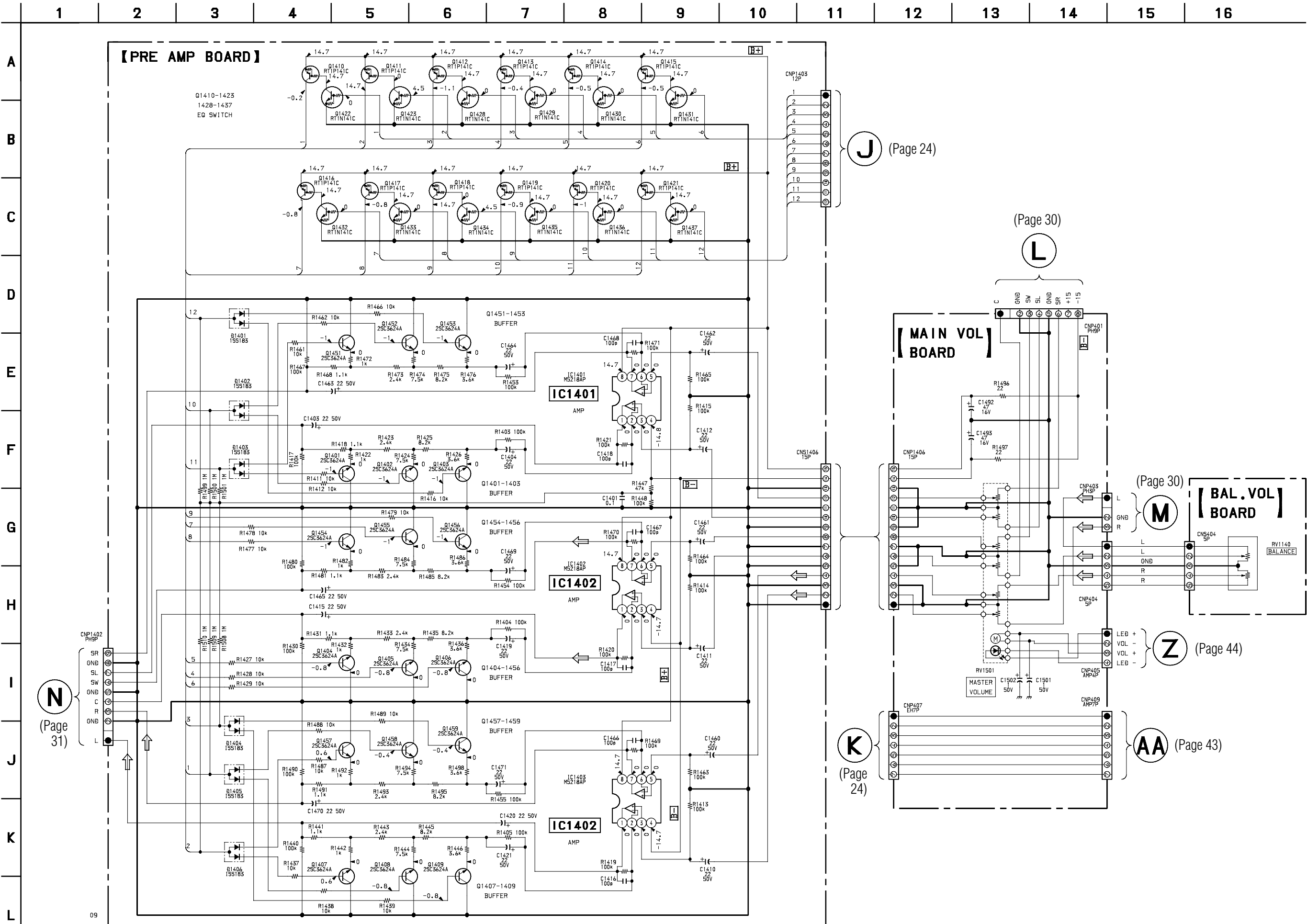
5-10. SCHEMATIC DIAGRAM – MAIN (3/3) SECTION –
 • See page 27 for Printed Wiring Board.



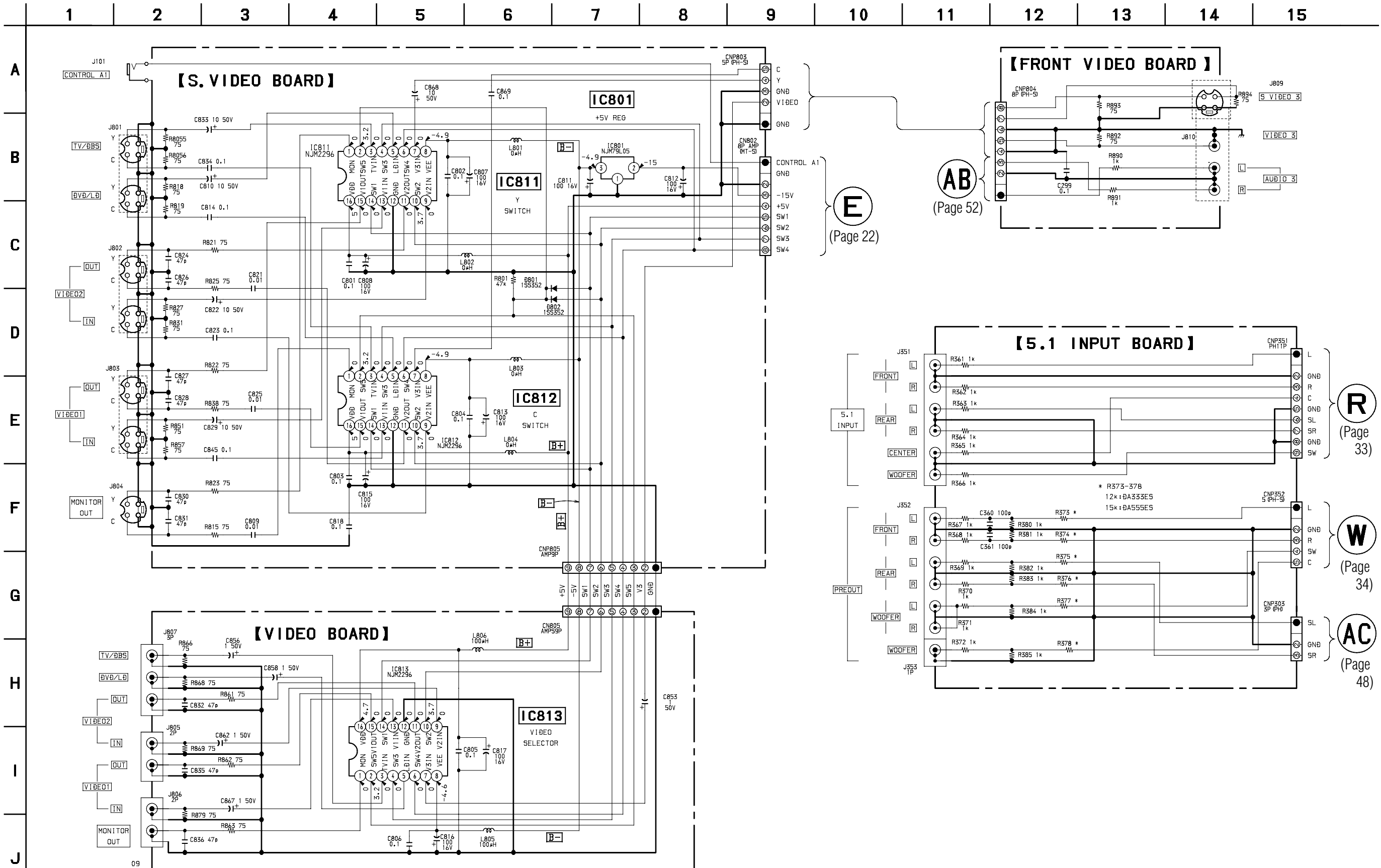
(Page 47) U
 (Page 48) V
 (Page 40) W
 (Page 55) X
 (Page 55) Y

(Page 56) T

5-11. SCHEMATIC DIAGRAM – AMP SECTION –



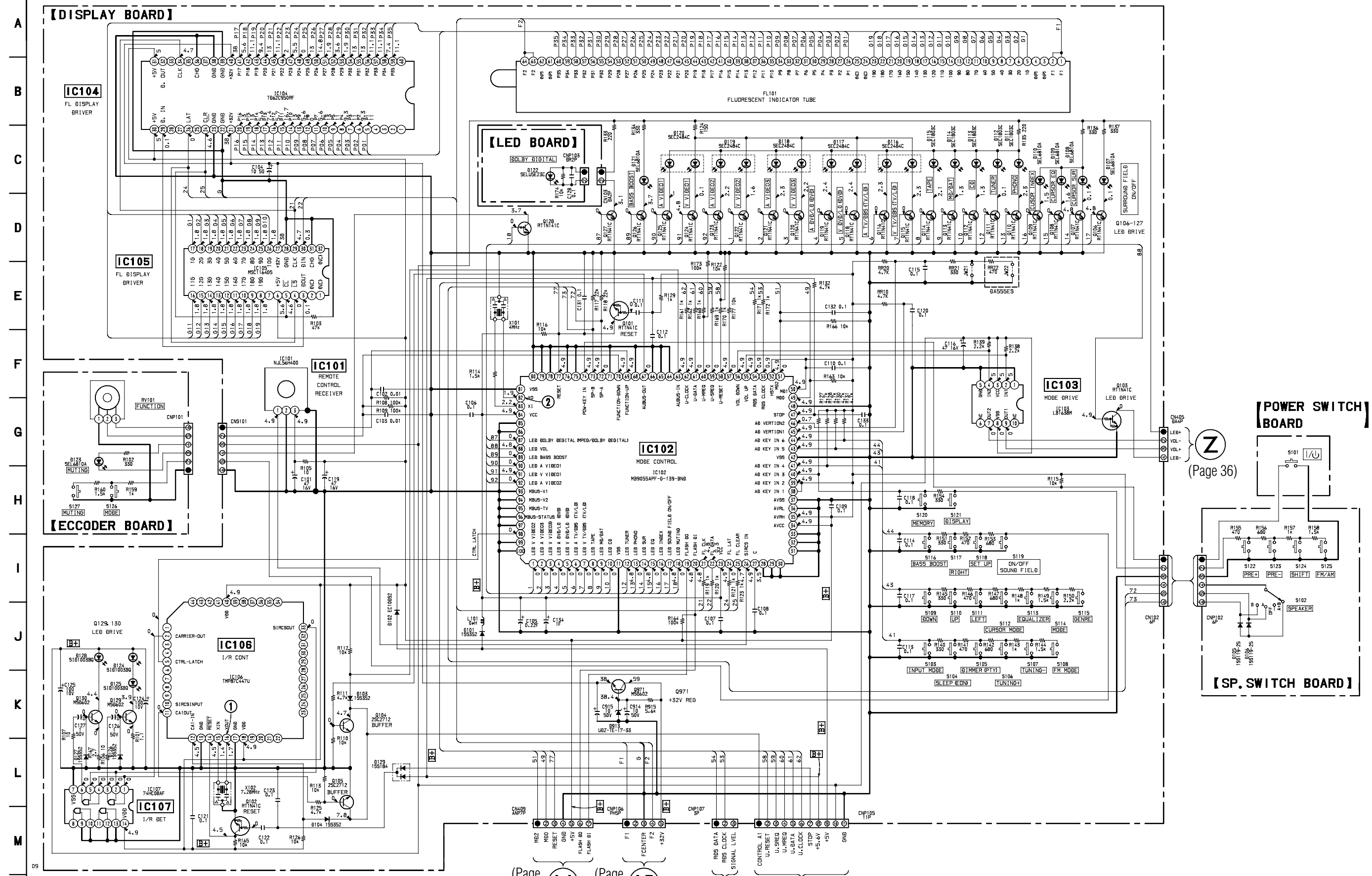
5-13. SCHEMATIC DIAGRAM – VIDEO SECTION –
 • See page 62 for IC Block Diagrams.



5-15. SCHEMATIC DIAGRAM - DISPLAY SECTION -

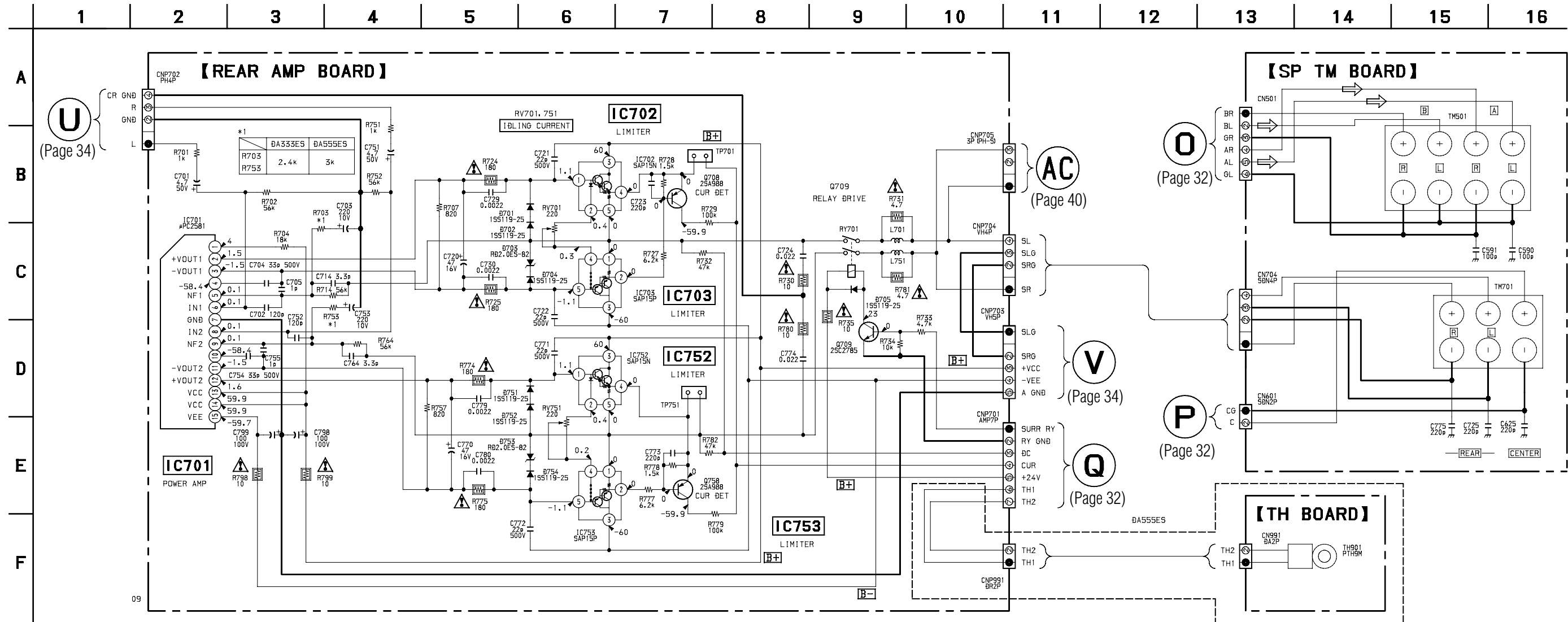
- See page 18 for Waveforms.
- See page 61 for IC Block Diagrams.
- See page 63 for IC Pin Functions.

1 2 3 4 5 6 7 8 9 10 11 12 13 14 15 16 17 18 19 20

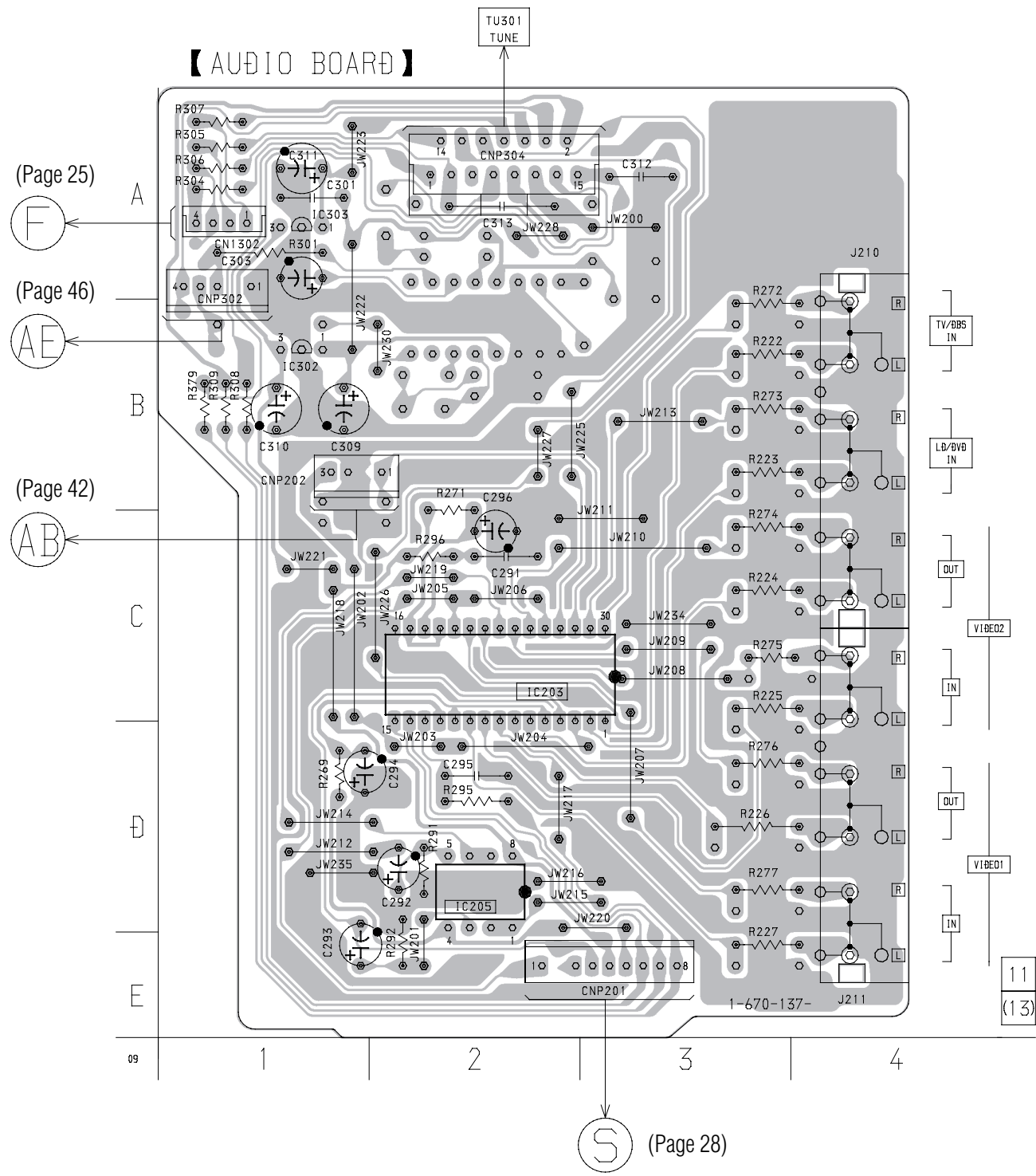


(Page 36) AA (Page 55) AD (Page 52) AE (Page 23) H

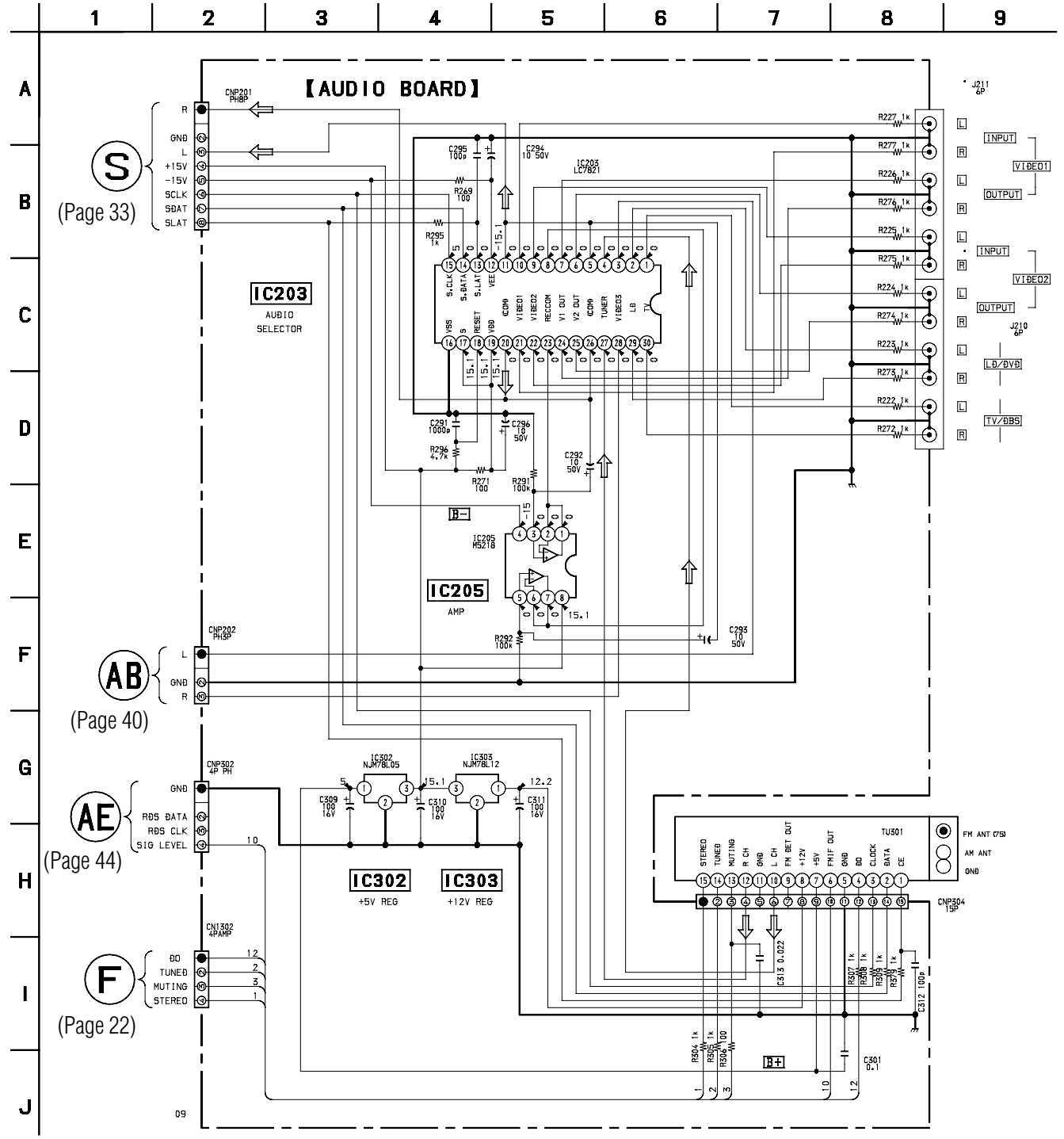
5-17. SCHEMATIC DIAGRAM – SPEAKER SECTION –
 • See page 61 for IC Block Diagrams.



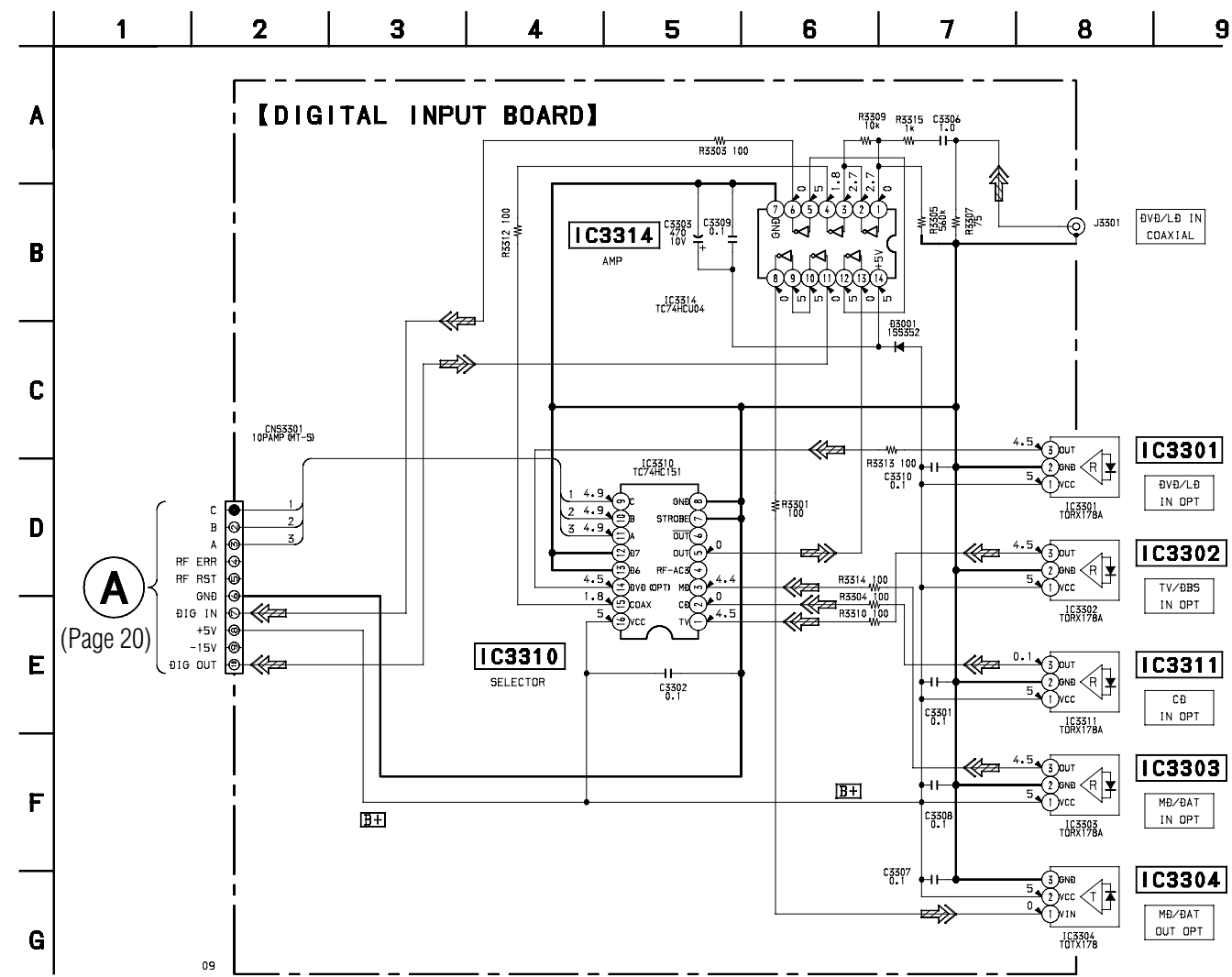
5-19. PRINTED WIRING BOARD – AUDIO SECTION –
 • See page 17 for Circuit Boards Location.



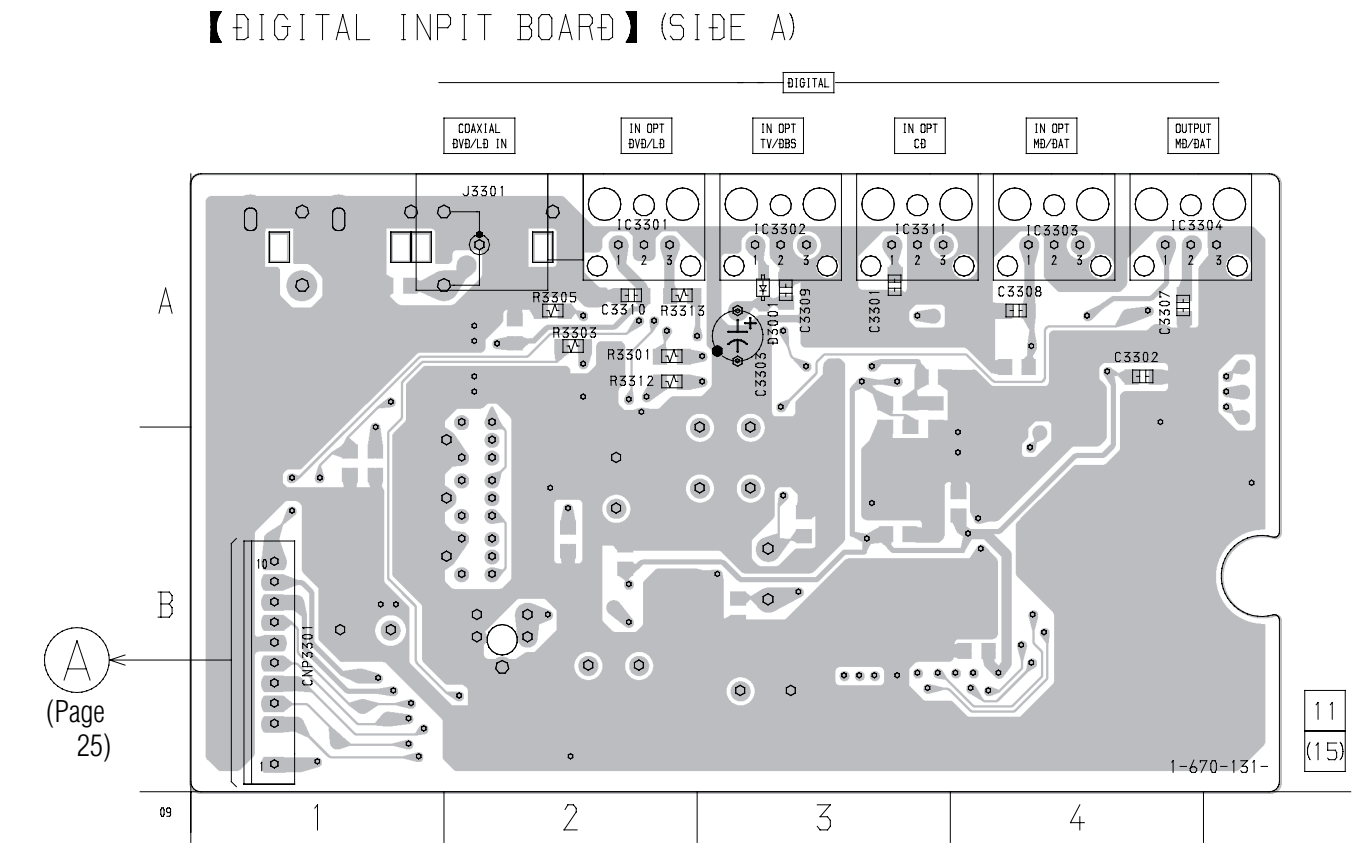
5-20. SCHEMATIC DIAGRAM – AUDIO SECTION –
 • See page 61 for IC Block Diagrams.



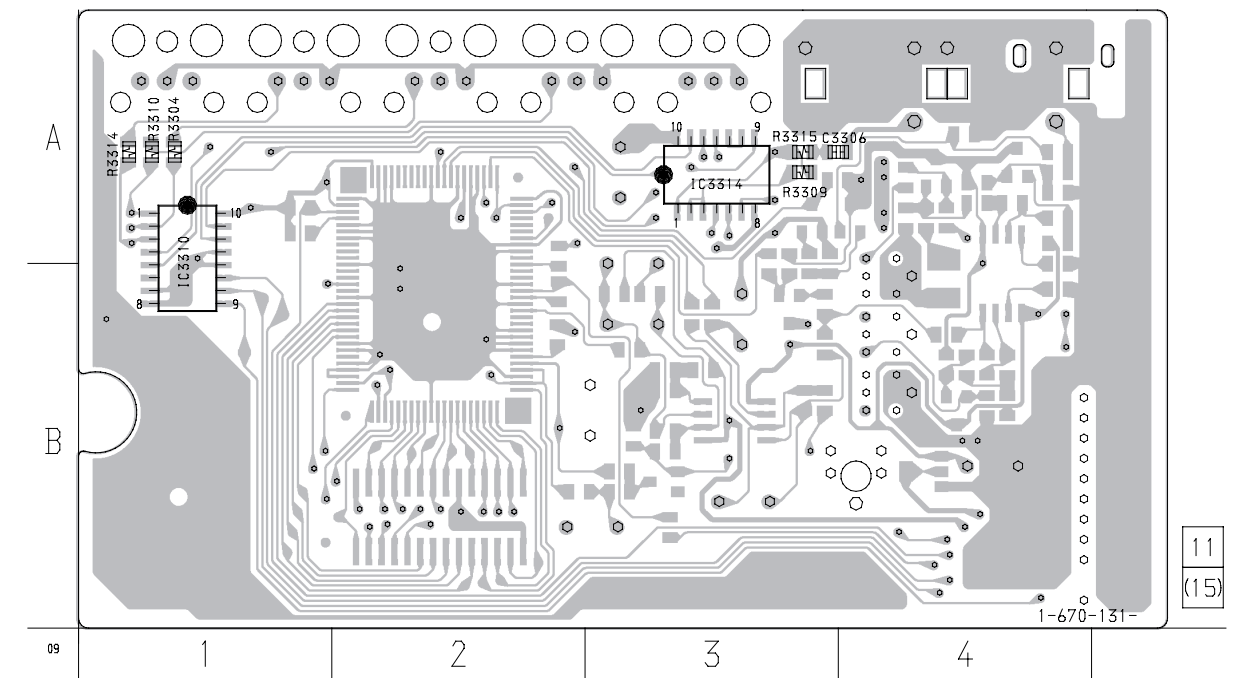
5-21. SCHEMATIC DIAGRAM – INPUT SECTION –



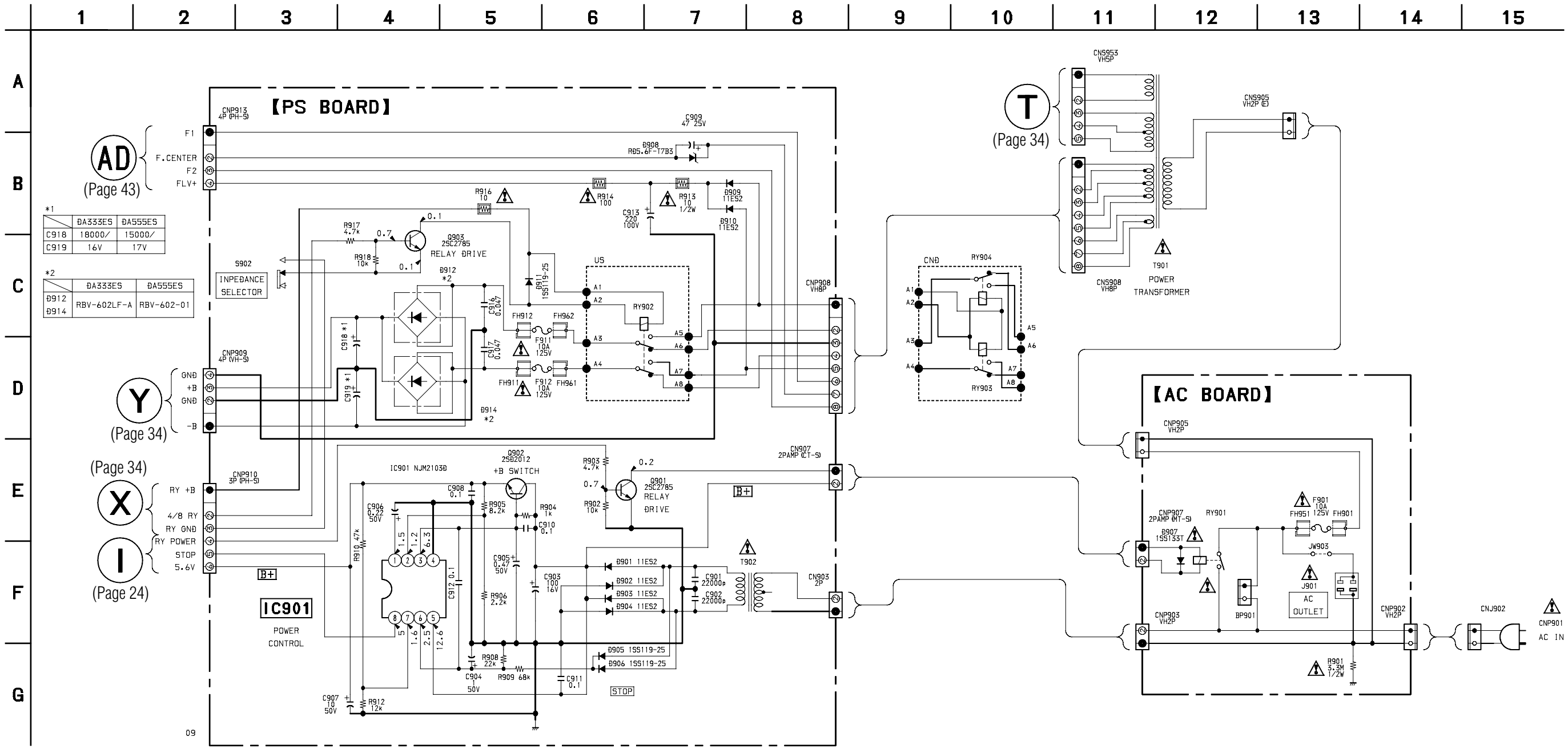
5-22. PRINTED WIRING BOARD – INPUT SECTION –
• See page 17 for Circuit Boards Location.



【DIGITAL INPUT BOARD】(SIDE B)

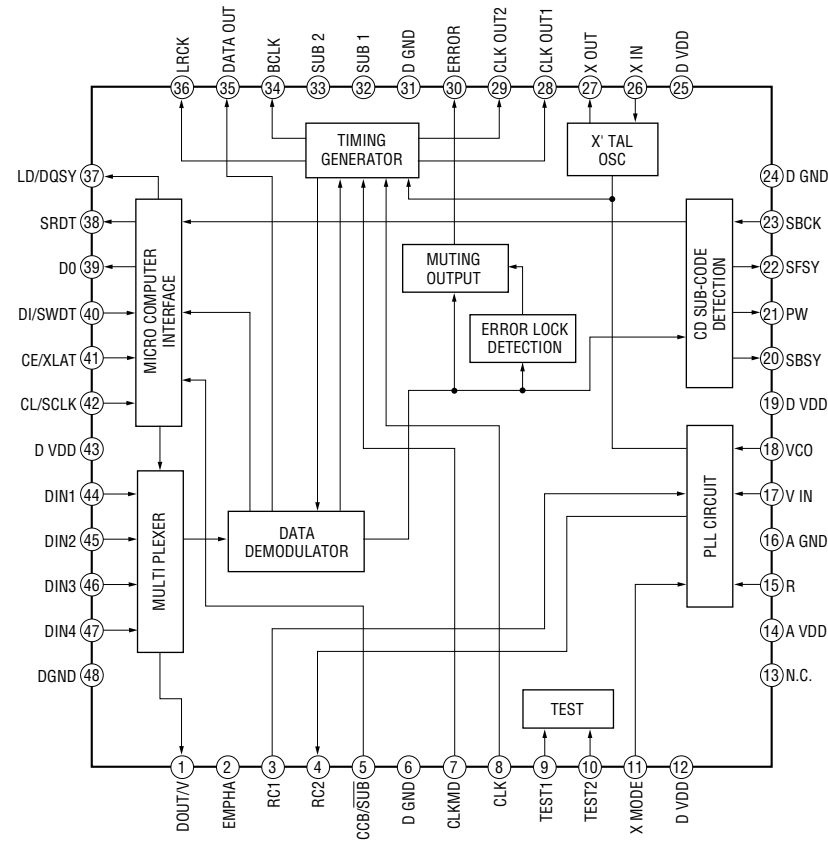


5-23. SCHEMATIC DIAGRAM – POWER SECTION –
 • See page 61 for IC Block Diagrams.

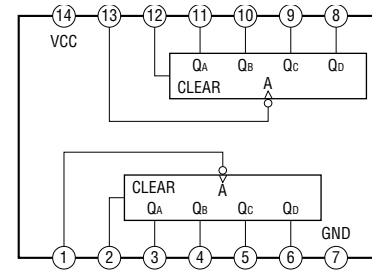


5-25. IC BLOCK DIAGRAMS

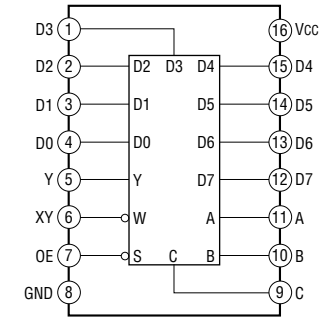
IC1101 CXD8495AQ (DIGITAL BOARD)



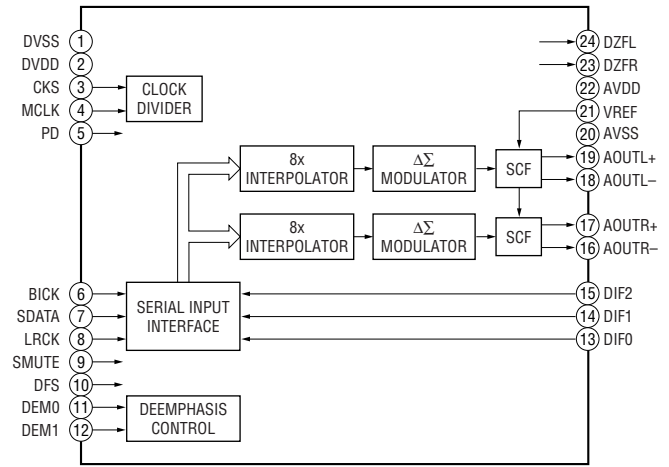
IC1109 TC74VHC393FT(EL) (DIGITAL BOARD)



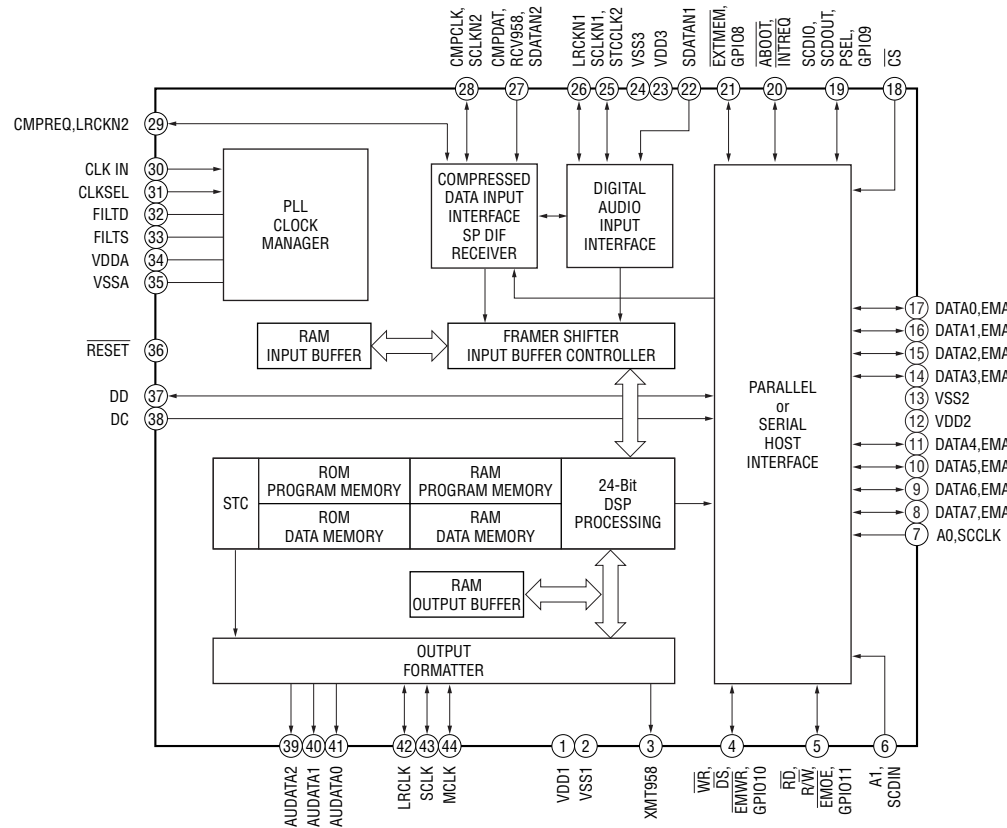
IC3310 TC74HC151AF (DIGITAL BOARD)



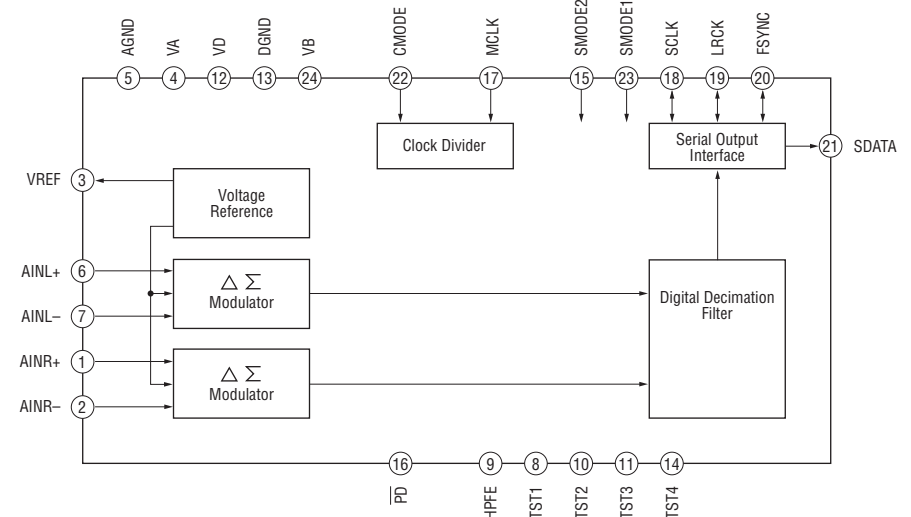
IC1202 AK4324-VF-E2 (DIGITAL BOARD)



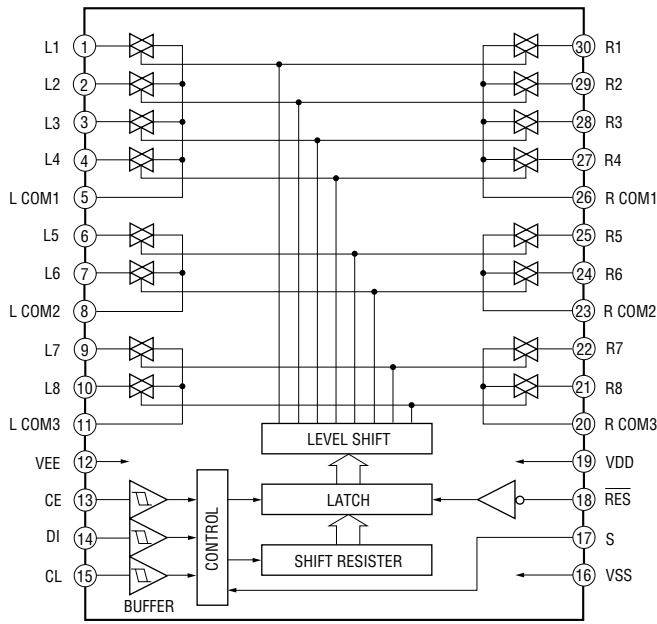
IC1106 CS4926 (DIGITAL BOARD)



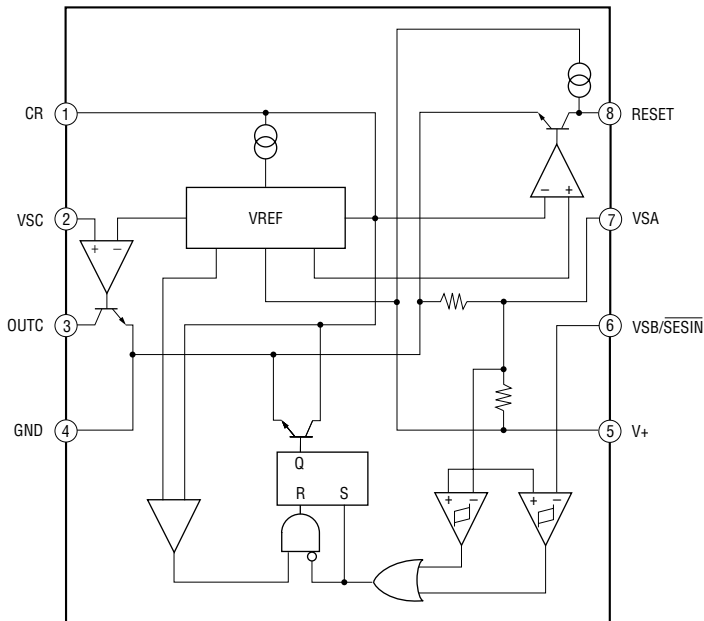
IC1210 AK5352-VF-E2 (DIGITAL BOARD)



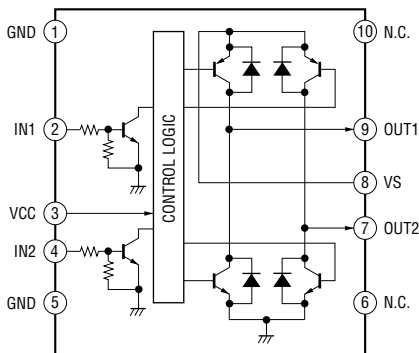
IC202,203 LC7821 (MAIN/AUDIO BOARD)



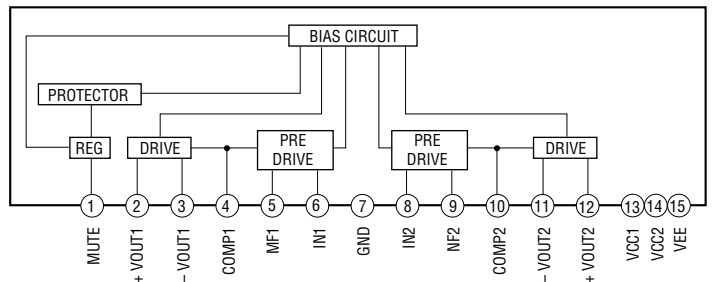
IC901 NJM2103D (PS BOARD)



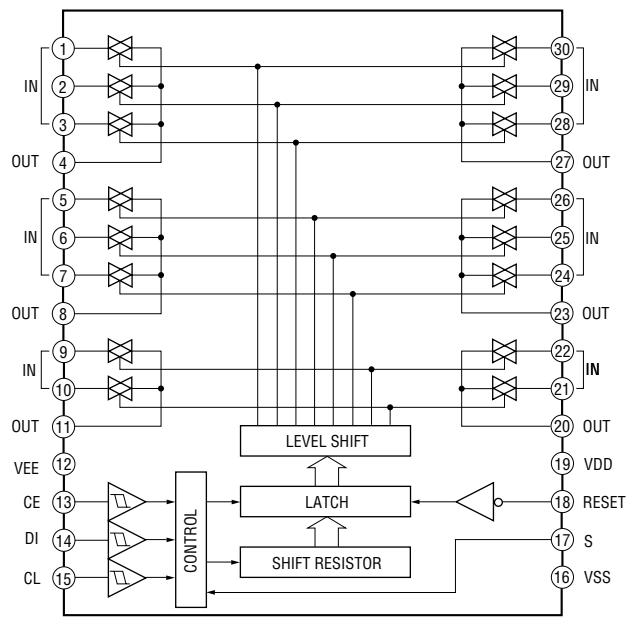
IC103 LB1638MTE (DISPLAY BOARD)



IC501,601,701 uPC2581V (REAR AMP/MAIN BOARD)



IC351 LC7822 (MAIN BOARD)



IC811,812,813 NJM2296D (S.VIDEO/VIDEO BOARD)

